

SPECIFICATIONS

ENGINE

Model.....Isuzu CC-6BG1T
 Type.....4-cycle water-cooled, direct injection
 Aspiration.....Turbocharged, intercooled
 No. of cylinders.....6
 Rated power
 ISO 9249, net.....170 PS (125 kW) at 2 100 min⁻¹ (rpm)
 SAE J1349, net.....170 PS (125 kW) at 2 100 min⁻¹ (rpm)
 Maximum torque.....637 Nm (65 kgfm) at 1 800 min⁻¹ (rpm)
 Piston displacement.....6.494 L
 Bore and stroke.....105 mm x 125 mm
 Batteries.....2 x 12 V / 88 Ah

HYDRAULIC SYSTEM

Hydraulic Pumps

Main pumps.....2 variable displacement axial piston pumps
 Maximum oil flow.....2 x 212 L/min
 Pilot pump.....1 gear pump
 Maximum oil flow.....33.6 L/min

Relief Valve Settings

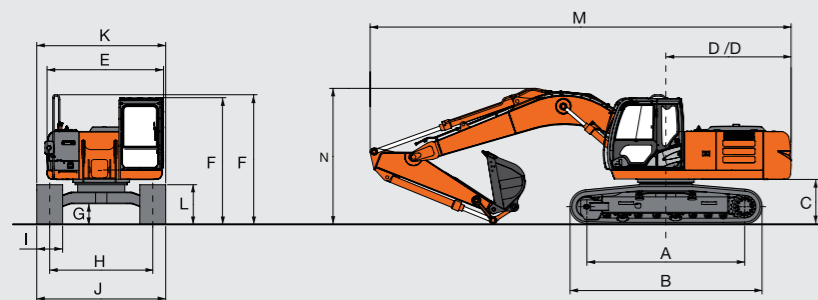
Implement circuit.....350 kgf/cm² (34.3 MPa)
 Swing circuit.....310 kgf/cm² (30.4 MPa)
 Travel circuit.....350 kgf/cm² (34.3 MPa)
 Pilot circuit.....40 kgf/cm² (3.9 MPa)
 Power boost.....388 kgf/cm² (38.0 MPa)

BACKHOE ATTACHMENTS

Capacity	Width		No. Of teeth	Weight	Recommendation ZX220LC Quarry	
	With side cutters	Without side cutters			2.4 m arm	2.9 m arm
0.92 m ³ (HD)	-	1 170 mm	5	944 kg	●	
0.90 m ³ (GR)	-	1 009 mm	4	966 kg	●	
1.00 m ³ (GP)	1 340 mm	1 230 mm	6	804 kg	○	
0.90 m ³ (GP)	1 240 mm	1 130 mm	5	769 kg	⊙	○
1.22 m ³ (ELM)	-	1 460 mm	6	857 kg	■	

○ Suitable for materials with density of 2 000 kg/m³ or less ○ Suitable for materials with density of 1 800 kg/m³ or less ■ Suitable for materials with density of 1 100 kg/m³ or less
 ● Heavy-duty service — Not applicable

DIMENSIONS



	ZX220LC (STD / HD)	ZX220LC (STD / HD)
A Distance between tumblers	3 660	J Undercarriage width 2 390
B Undercarriage length	4 460	K Overall width 2 990
* C Counterweight clearance	1 040	* L Track height with triple grouser shoes 920
D Rear-end swing radius	2 910	M Overall length With 2.4 m arm 9 680
D' Rear-end length	2 910	With 2.9 m arm 9 680
E Overall width of upperstructure	2 700	N Overall height of boom 3 150
F Overall height of cab	2 940	With 2.4 m arm 3 010
F' Overall height of upperstructure	3 010	With 2.9 m arm 3 050
* G Min. ground clearance	450	
H Track gauge	2 390	
I Track shoe width	600	

* Excluding track shoe lug G: Triple grouser shoe



Tata Hitachi Construction Machinery Company Private Limited

Registered Office: Jubilee Building, 45 Museum Road, Bangalore, India 560025

Telephone: +91 80 6695 3301 / 02 / 03 / 04 / 05 | Toll Free : 1800 121 6633

Email: info@tatahitachi.co.in | Website: www.tatahitachi.co.in

These specifications are subject to change without prior notice. The machine depicted may vary from the actual machine. Please contact our nearest office for latest specifications. Accessories shown here are not part of the standard equipment. Performance of the machine may vary with site and operating conditions encountered.

UPPERSTRUCTURE

Swing speed.....13.0 min⁻¹ (rpm)
 Swing torque.....61.5 KNm (6200 kgfm)

UNDERCARRIAGE

Number of items on each side.

Upper rollers.....2
 Lower rollers.....8 : ZX220LC
 Track shoes.....49 : ZX220LC
 Track guard.....2 : ZX220LC

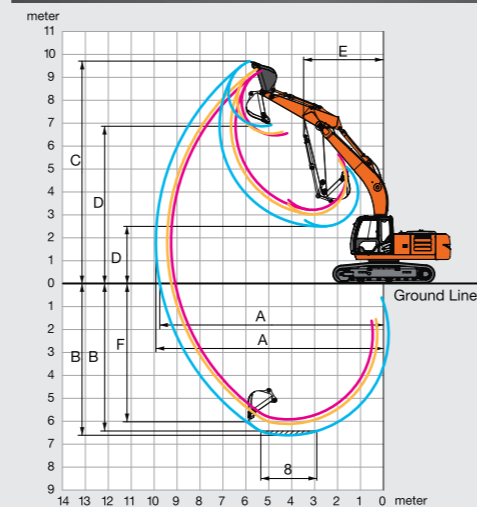
Travel Device

Travel speeds.....High : 0 to 5.5 km/h
 Low : 0 to 3.5 km/h
 Maximum traction force.....184 kN (18 800 kgf)
 Gradeability.....70% (35° continuous)

SERVICE REFILL CAPACITIES

Fuel tank.....400.0 L
 Engine coolant.....23.0 L
 Engine oil.....25.0 L
 Swing device.....6.2 L
 Travel device (each side).....6.8 L
 Hydraulic system.....240.0 L
 Hydraulic oil tank.....315.0 L

WORKING RANGES



	2.20 m	2.42 m	2.91 m
Arm length	2.20 m	2.42 m	2.91 m
A Max. digging reach	9 260	9 430	9 920
A' Max. digging reach (on ground)	9 080	9 250	9 750
B Max. digging depth	5 920	6 120	6 610
B' Max. digging depth (8' level)	5 680	5 890	6 420
C Max. cutting height	9 250	9 330	9 680
D Max. dumping height	6 450	6 520	6 850
D' Min. dumping height	3 210	3 010	2 490
E Min. swing radius	3 530	3 520	3 490
F Max. vertical wall digging depth	5 420	5 620	6 030

Excluding track shoe lug



TATA HITACHI

WITH THE POWER OF GI



ZAXIS 220LC

GI SERIES

170 PS / 210 rpm | 21700 kg | 0.9 - 1.22 m³

Authorised Dealership



SUPERIOR PERFORMANCE

- Powerful ISUZU engine with class leading forces for best performance
- HIOS III – hydraulic system assists in smooth & swift combined operations
- Enhanced power boost provides 10% higher digging forces
- Improved fuel efficiency with ECO mode.

HIGH DURABILITY

- Rock –Solid , durable front attachment with thickened steel plates are robotically welded to precision to enable longer life.
- HD Undercarriage, HD Upper & Lower rollers for additional durability
- Monolithic X – Beam frame, thickened idler & travel motor brackets for protection against damages.

OPERATOR COMFORT & SAFETY

- Auto climate controlled AC Cabin
- Multifunction monitor, ergonomic controls improves comfort
- Roomy cab interiors with music system and speakers
- Excellent all round visibility
- OPG top guard level 1 (ISO 3449: 2005) compliant, cabin provides enhanced safety in granite, marble and quarry applications.

SIMPLIFIED MAINTENANCE

- Cyclonic type air pre-cleaner enables longer life of filters
- Longer service intervals due to high capacity filters and long drain hydraulic oil reduces maintenance cost
- Detachable dust proof indoor net for parallel ROC, grouped remote inspection points helps to simplify maintenance.
- Standard electric fuel filling pump makes it extremely easy to refuel
- Easy and effective maintenance with ConSite

